



Your T755S can be configured in three ways for wired remote sensors.

- 1** Indoor remote sensing (using R251S) for system averaging or remote sensing. (See page 2).
- 2** Outdoor remote sensing and / or dual fuel balance point (using R250S). (See page 3)
- 3** Slab sensing (using R250S) for radiant floor heat with high and low limits. (See page 4)

Please refer to the Installation Manual for more information.

Pro1 IAQ Inc.

Toll-free: 1-888-Pro1iaq (776-1427)

Toll Number (Outside the USA): 330-821-3600

Web: <http://www.pro1iaq.com>

Hours of Operation: Monday - Friday 9 AM - 6 PM Eastern

Connecting to the T755S

1. Connect the **R251S** to the **S1** and **S2** terminal blocks on the T755S.

Loosen the terminal block screws. Insert wires, then retighten terminal block screws.

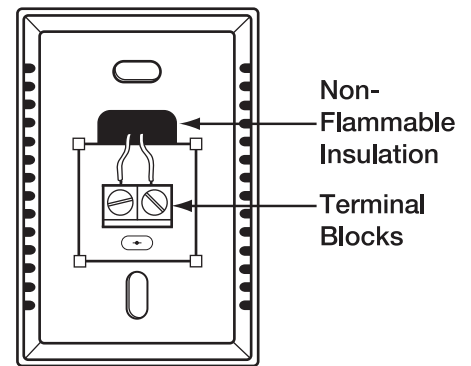
Place non-flammable insulation into wall opening to prevent drafts.

2. Enter the **TECH SETUP** and navigate to the **REOP** setup.
 3. Select **OPTION 1** and press **NEXT**.
 4. Choose **LOCL ON** or **OFF**. This will enable or disable the T755S temperature sensor.
 5. In the **REMO** menu enter the number of **R251S** sensors connected. Choose **1, 4, 9, or 16** and press **DONE**.
- Note:** If **LOCL** is set to **OFF**, the screen will not appear.

R251S Remote Sensor



Inside View of Subbase



Example Step 1

T755S



Example Step 2 - 3.

In the **T755S REOP** setup menu, select **OPTION 1** and press **NEXT**.

T755S



Example Step 4.

In the **LOCL** setup menu, select **ON** to enable the T755S **TEMPERATURE SENSOR**.

T755S



Example Step 5.

In the **REMO** setup menu, select options **1, 4, 9, or 16** for the desired number sensors.

Connecting to the T755S

1. Connect the **R250S** to the **S1** and **S2** terminal blocks on the T755S.

Loosen the terminal block screws. Insert wires, then retighten terminal block screws.

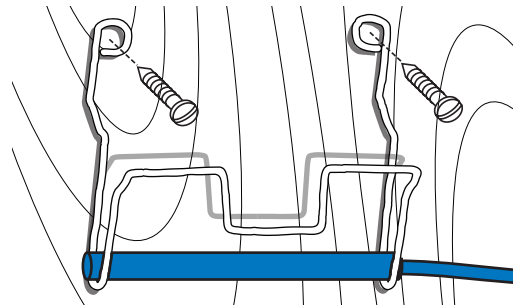
Place non-flammable insulation into wall opening to prevent drafts.

2. Enter the **TECH SETUP** and navigate to the **REOP** setup.
3. Select **OPTION 2** and press **NEXT**.
4. If in **Heat Pump Mode**, you have the option for a **Dual Fuel Balance Point**. If you wish to use this, choose the balance point temperature.
5. If you choose a balance point, you have the option of choosing a **Balance Point Run Time**. When above the selected balance point and the selected time has expired, W2 will energize and bring on auxiliary heat.

R250S



NOTE:
When outdoor sensor is enabled, the current outdoor temperature will flash in the clock field.



T755S



Example Step 2 - 3.
In the **T755S REOP** setup menu, select **OPTION 2** and press **NEXT**.

T755S



Example Step 4.
On the **BLPT** setup menu, select an **Outdoor Balance Point Temperature**.

T755S



Example Step 5.
On the **BLRT** setup menu, select the number of minutes for **Balance Point Run-Time**.

Connecting to the T755S

1. Connect the **R250S** to the **S1** and **S2** terminal blocks on the T755S.

Loosen the terminal block screws. Insert wires, then retighten terminal block screws.

Place non-flammable insulation into wall opening to prevent drafts.

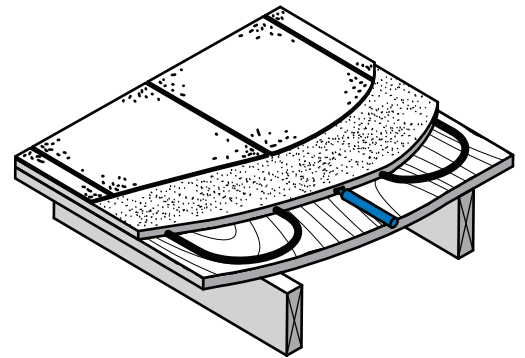
2. Enter the **TECH SETUP** and navigate to the **REOP** setup.
3. Select **OPTION 3** and press **NEXT**.
4. Choose a **High Limit**. Heat will be locked out when the floor temperature is above this value.
5. Choose a **Low Limit**. Heat will come on when the floor temperature is below this value.

R250S



NOTE:

When floor sensor is enabled, the current floor temperature will display in the **TECH SETUP**.



T755S



Example Step 2 - 3.

In the **T755S REOP** setup menu select **OPTION 3** and press **NEXT**.

T755S



Example Step 4.

In the **HILM** setup menu, select the **High Limit Temperature**.

T755S



Example Step 5.

In the **LOLM** setup menu, select the **Low Limit Temperature**.