

# PRO IAQ®

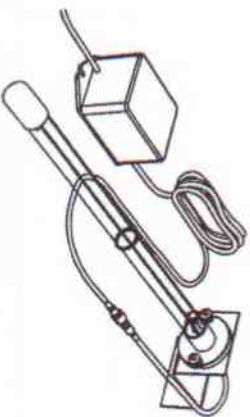
## Installation Instructions

This product emits germicidal ultraviolet (UV-C) light to help disinfect the cooling coil, drain pan, and internal surfaces of HVAC systems for improved indoor air quality.

### BEFORE INSTALLING

- Read all instructions carefully. Failure to do so could damage the equipment or cause harm to yourself or others.
- Acknowledge all warnings.
- Only qualified technicians should perform the installation.

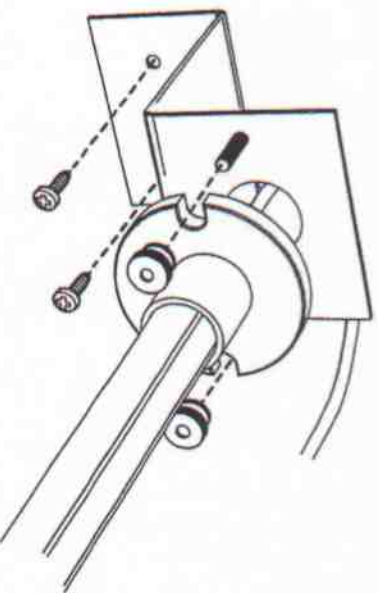
U.S. Patent Nos. 5,334,347, 5,817,276, 6,245,293, 6,267,924, 6,280,685, 6,313,470, 6,627,000, 6,558,727, 6,392,494, 6,550,257.



### Package Includes:

- UV air disinfection system
- 24V power supply
- UV-C lamp
- Lamp bracket
- UV-C safety viewport
- Lamp cord shield
- Mounting hardware
- Installation instruction sheet
- UV-C safety label for duct

## 2 A-Coil/Slab Coil Lamp Installation



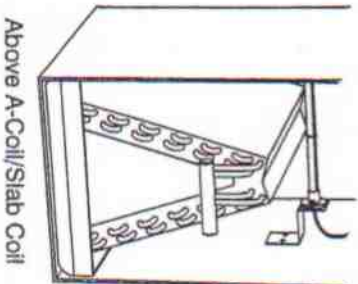
### ▲ NOTICE

#### Clean lamp prior to installation.

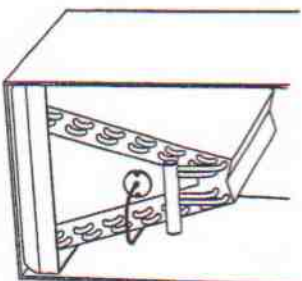
Use a cotton cloth to remove dirt and fingerprints. Failure to clean the lamp could shorten the lamp's lifespan.

- Disconnect power to the air handler and open access panels.
- Install the lamp bracket at the desired location with two self-drilling screws (included). Secure the lamp to the lamp bracket with the provided knurled nuts. Be sure plastic cord shield is in place to protect lamp cord from sharp metal edges.

## 1 Choose Installation Type



Above A-Coil/Slab Coil



A-Coil Delta Plate

### Special Installation Notes:

- If the UV device is installed on the left side (return air side) of a coil, make sure that the HVAC system is configured such that the blower is located between the return air filter and the in-belt of the coil, such as would be found in a traditional up-flow, or horizontal furnace with the coil placed after the heat exchanger.
- If the UV device is installed near an air filter, check with their manufacturer for UV-C resistance properties.
- If the desired UV installation location is intended to irradiate an air filter, to neutralize the microbiological matter on the air filter surface, such as would be found in the return air drop of a basement application or in the return plenum of a horizontal system in an attic, take precautions as described in note above, and make sure the UV fixture is placed on the return side of the filter. DO NOT INSTALL THE UV FIXTURE ON EITHER SIDE OF THE FILTER IN HALL / CLOSET RETURN AIR APPLICATIONS.

### ▲ WARNING

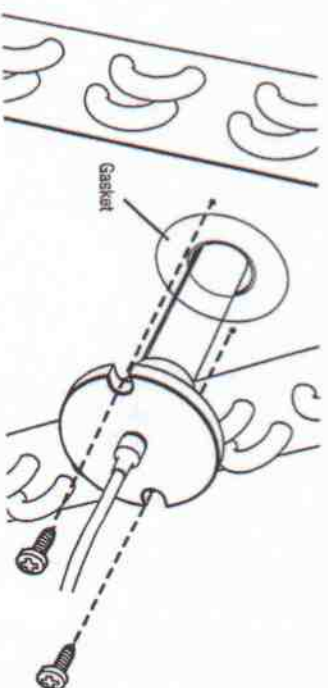
#### UV Light Hazard.

Can cause serious eye and skin damage.

Do not look at UV-C light.

Wear UV-C eye and skin protection

## 3 A-Coil Delta Plate Lamp Installation



### ▲ WARNING

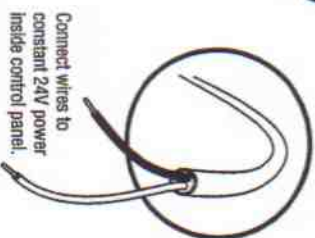
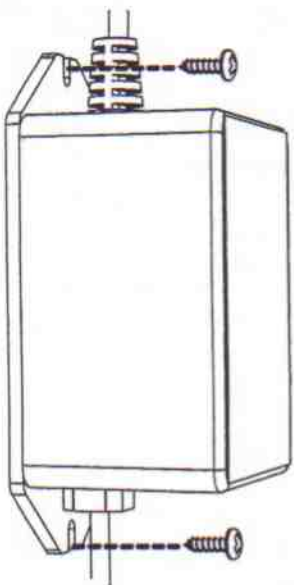
#### UV Light Hazard.

Can cause serious eye and skin damage. Do not look at UV-C light.

Wear UV-C eye and skin protection

- Drill a 7/8" hole into the delta plate and place gasket (included) around hole.
  - Insert lamp directly into hole and secure the lamp to the delta plate with two self-drilling screws
- Note: A-Coil delta plate installation does not use lamp bracket.

## 4 Install Power Supply



Connect wires to constant 24V power inside control panel.

### ▲ WARNING

#### Electric Shock Hazard.

Can cause injury or death. Disconnect all electrical power supplies before servicing.

### ▲ WARNING

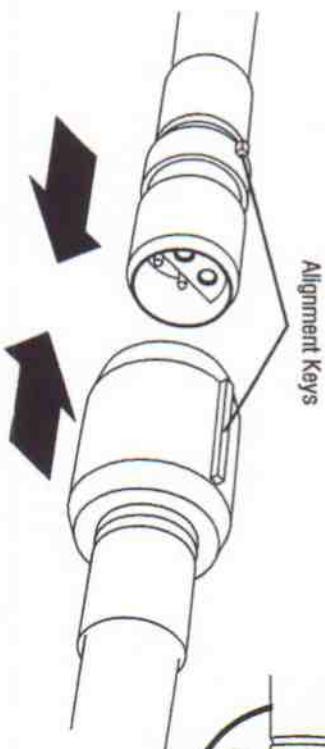
#### For Use with 24V Only.

Do not exceed voltage rating. Severe damage to device and/or fire could result. Verify proper voltage.

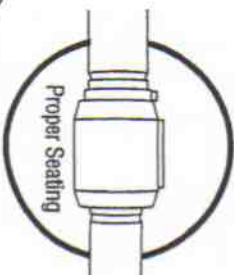
- Install the power supply in a suitable location inside the control panel of the air handler using two self-drilling screws (included).
- Connect the power supply to constant 24V power.

The device must be installed in compliance with all national and local electrical and mechanical codes. Failure to do so will void warranty.

## 5 Connect Lamp



Alignment Keys



Proper Seating

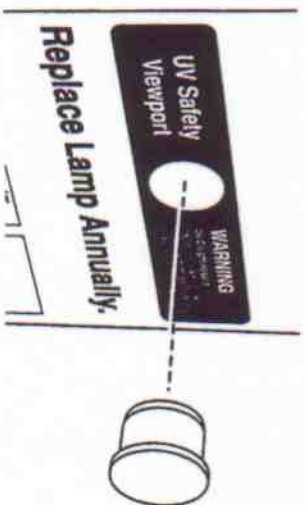
### ▲ NOTICE

#### Fully Seal Lamp Connector.

Failure to properly seal lamp connector could result in improper lamp operation and/or compromise water resistance.

- Connect lamp connector to power supply connector. Connectors are keyed for proper alignment. Be sure to fully seat the connectors for proper electrical connection and water resistance.
- Install plastic cord shield where cord comes into contact with any sharp metal edges.

## 6 Install UV Safety Viewport



UV Safety Viewport  
WARNING  
Replace Lamp Annually.

### ▲ NOTICE

#### Replace Lamp Annually.

UV-C lamps expand their germicidal effectiveness over time. Replace the lamp annually even if the lamp appears to be operating normally.

- Adhere the provided UV safety label to the outside of the duct near the installation location and drill a 5/8" hole as indicated on the label. Press the UV safety viewport into hole.
- Close all access panels and reconnect power to the air handler.
- Verify that a blue glow can be seen through the UV safety viewport.

### Warranty

Air cleaners and uv lights are warranted for 2 years from the date of installation or 3 years from the date of manufacture, whichever comes first (this warranty excludes consumables such as filters or light bulbs).

**Pro1 IAQ**  
1000 Lake St. Louis Blvd.  
Suite 223  
Lisle St. Louis, MO 63367  
  
Phone: 1-888-Pro1IAQ (776-1427)  
Fax: 1-888-Pro1FAX (776-1329)  
Email: jpdgar@pro1iaq.com

**PRO1**  
**IAQ**®

*A Leader in Professional Indoor Air Quality products*

Visit us online at [www.pro1iaq.com](http://www.pro1iaq.com)

# PRO1 IAQ® 24V Installation Notes

Installing the 24V UV fixture may require an upgrade to the 24V transformer in the furnace, or air handler, depending upon the capacity of the OE specified by the manufacturer of the AHU / furnace.

1. Verify the available volt amps prior to connecting the UV fixture to the 24V circuit. Energize all 24V components so they reach their maximum amp load (Straight cool system - activate cooling. Heat pump - activate heating mode.)
2. After obtaining the available volt amps, reference the data below to determine if the existing transformer can accommodate the UV fixture amp load:  
  
15" Pro1 IAQ UV = 0.92 amps
3. After installing the UV fixture, energize all 24V components at their full amp draw, including the UV fixture, and ensure that all systems are operational and that fuses remain intact.

213475-00 Rev.1A7/07